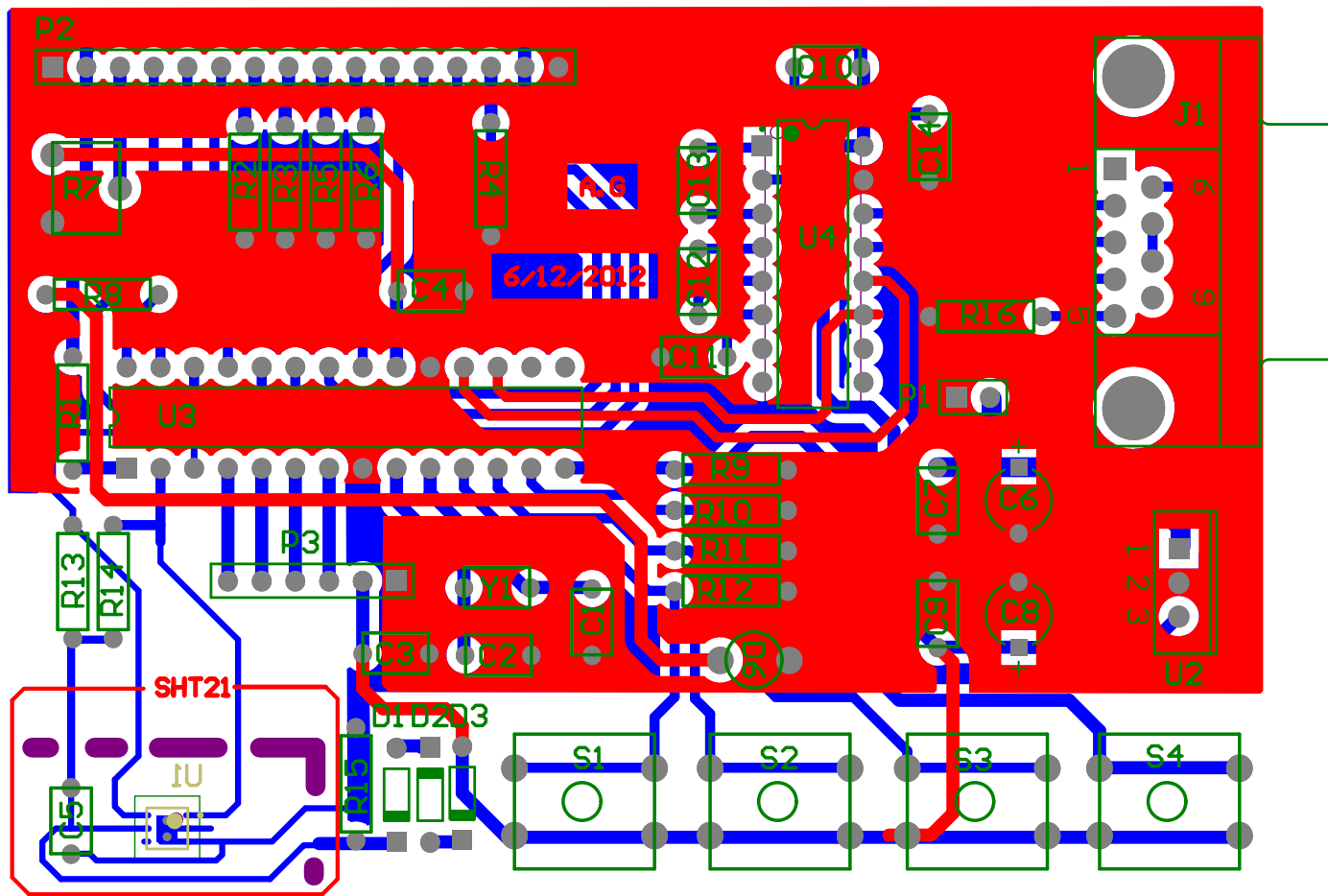


74,90 (mm)



Humidity and temperature sensor electronic board - Composite drawing / top view.
All components except the SHT21 are placed on the top side (red color).
Purple-colored lines refer to slots.

www.circuitlib.com

100,55 (mm)